


PRODUCT SHEET

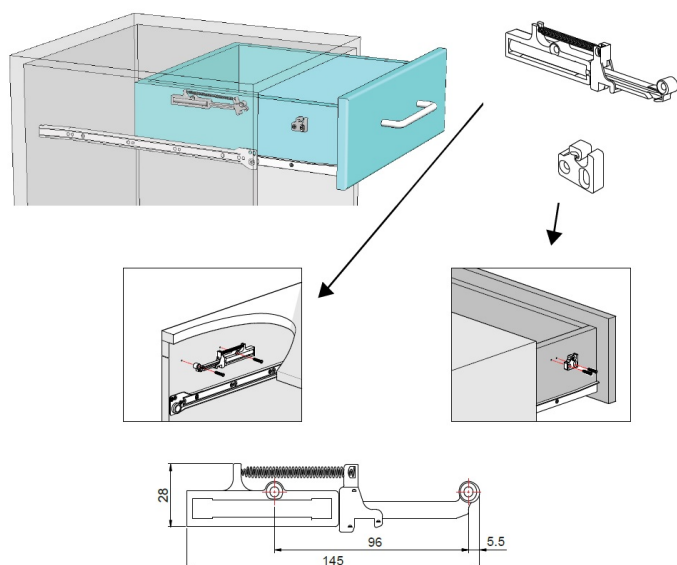
Description:

Soft Close Device F/6001, Drawer Slides, Grey Plast, 45mm Travel, Soft Closing by Gas Cylinder, F/Wooden Cabinets,, Installation Width 10-13,5mm, Incl. Instruction Paper & Wood, Screws
ø4X18mm

Item number:

16.10.600-0

Units	Box	Carton	HS Code	Barcode
Pcs.	30	300	3926300090	
				5704866063104



SISO A/S

Mileparken 11
DK-2740 Skovlunde
Denmark
VAT: DK 24786013

Phone +45 45 830 900

www.siso.dk
siso@siso.dk

Danske Bank
Nytorv Branch
Copenhagen
SWIFT: DABADKKK

Account no.
4180 3112 112936
IBAN Account
DK7230003112112936